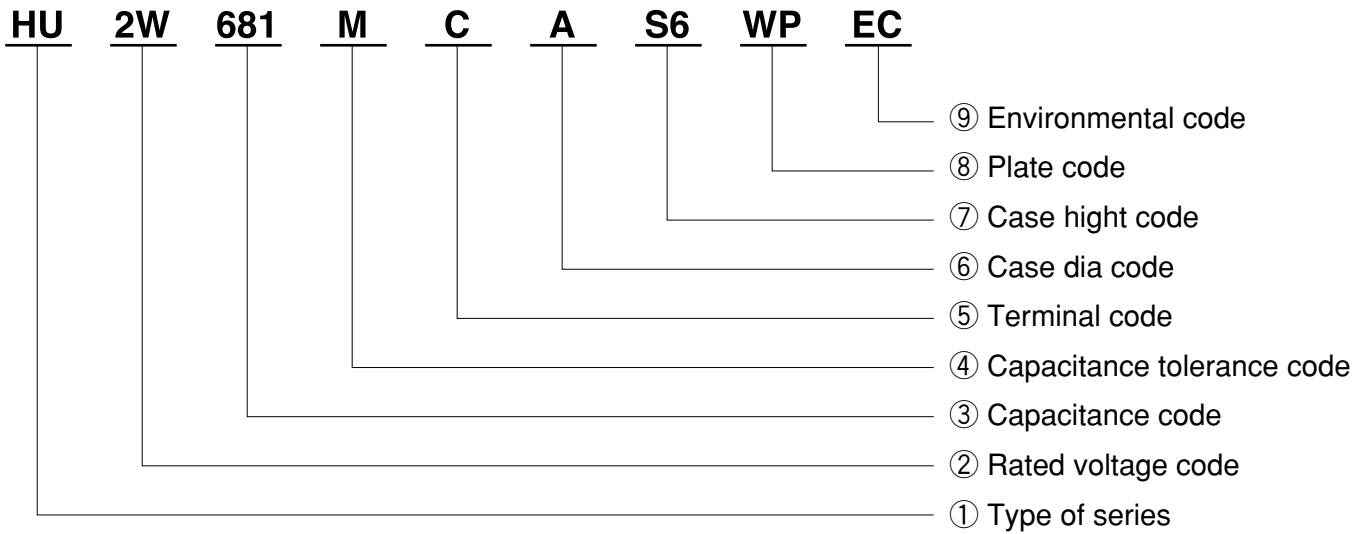


■ HOW TO ORDER



① Type of series

Type of series
DH
PS2
US2
HP3
HU
HU3
HL
YL
XL1
SS3
SS2

② Rated voltage code

Rated voltage code	Rated voltage (V)	Rated voltage code	Rated voltage (V)
1C	16	2D	200
1E	25	2E	250
1V	35	2V	350
1H	50	2G	400
1J	63	420V	420
1K	80	2W	450
2A	100	2H	500
2C	160	2L	550
2P	180	600V	600

③ Capacitance code

Capacitance code	Capacitance (μF)	Capacitance code	Capacitance (μF)
390	39	681	680
470	47	821	820
560	56	102	1000
680	68	122	1200
820	82	152	1500
101	100	182	1800
121	120	222	2200
151	150	272	2700
181	180	332	3300
221	220	472	4700
271	270	682	6800
331	330	103	10000
391	390	153	15000
471	470	223	22000
561	560	333	33000

The first two digits are significant.
The last digit indicates the number of following zeros.

④ Capacitance tolerance code

Capacitance tolerance code	Capacitance tolerance (%)
M	±20
Q	-10~+30

The standard is [M].

⑤ Terminal code

Terminal code	Terminal
C	2-claw short Terminal
R	2-claw Terminal
S	4-claw Terminal
X	4-claw short Terminal
T	T-type Terminal
E	3-claw short Terminal

The standard is [C].

⑥ Case dia code

Case dia code	Case dia (mm)
W	20
X	22
Y	25
Z	30
A	35
B	40 (41)
H	46
C	51

⑦ Case hight code

Case hight code	Case hight (mm)
S1	20
S2	25
S3	30
S4	35
S5	40
S6	45
S7	50

⑧ Plate code

Plate code	Presence
WP	Without plate

The standard is [WP].

⑨ Environmental code

Environmental code	Content
EC	Lead-free, PVC-free
PF	Lead-free

The standard is [EC].

OUTLINE OF DRAWINGS AND DIMENSIONS

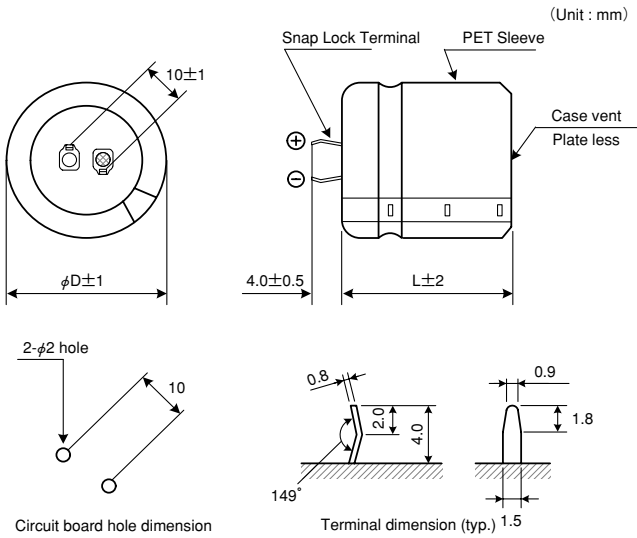
2-claw short Terminal

Standard terminal

Terminal code : C

Case dia (D) : $\phi 20 \sim \phi 35$

Case height (L) : $\sim 50L$

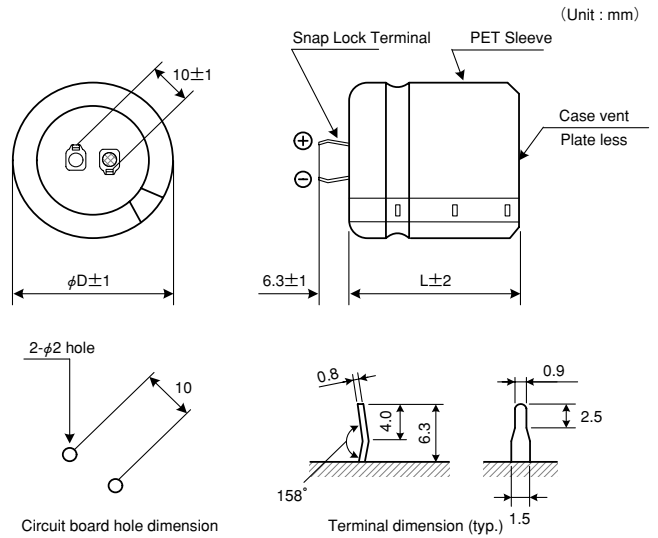


2-claw Terminal

Terminal code : R

Case dia (D) : $\phi 20 \sim \phi 35$

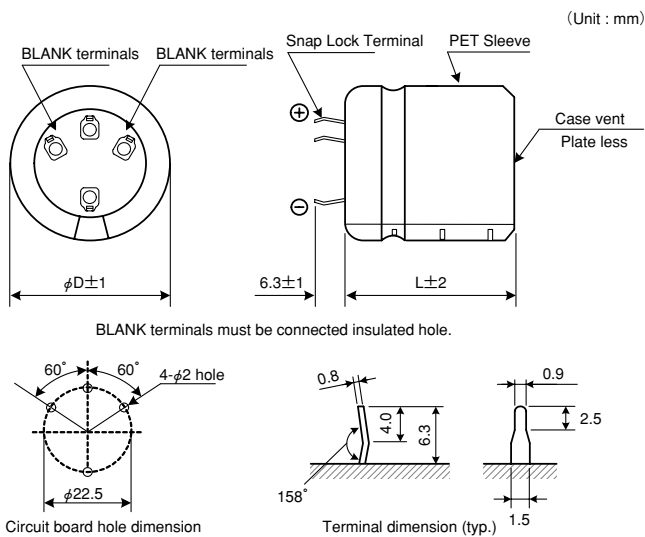
Case height (L) : $\sim 50L$



4-claw Terminal

Terminal code : S

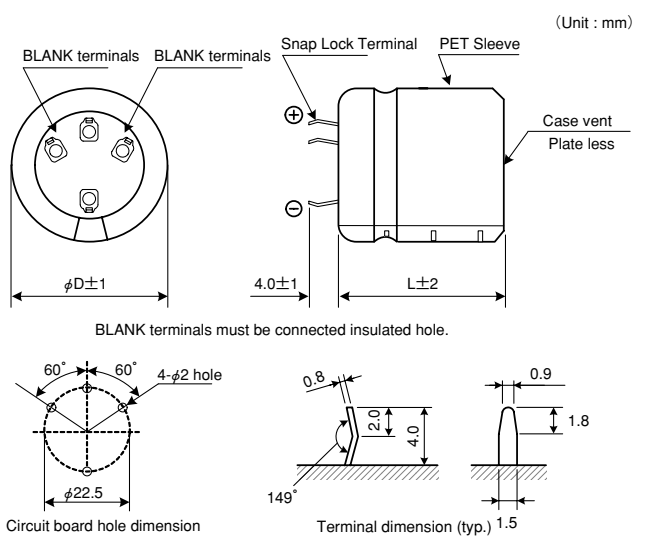
Case dia : $\phi 35 \sim \phi 40$



4-claw short terminal

Terminal code : X

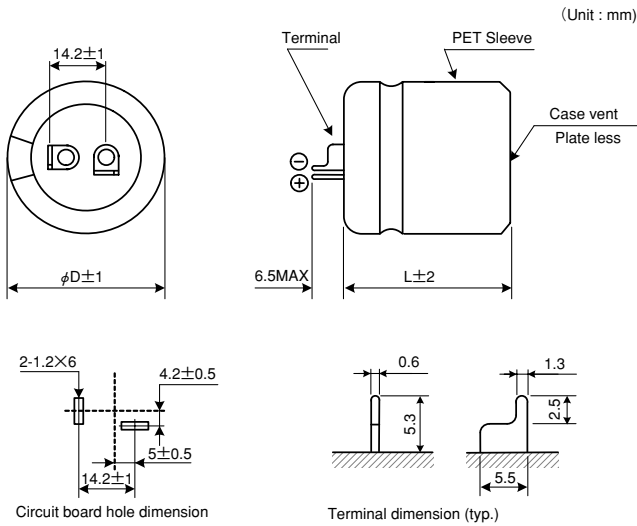
Case dia : $\phi 35 \sim \phi 40$



■ T-type terminal

Terminal code : T

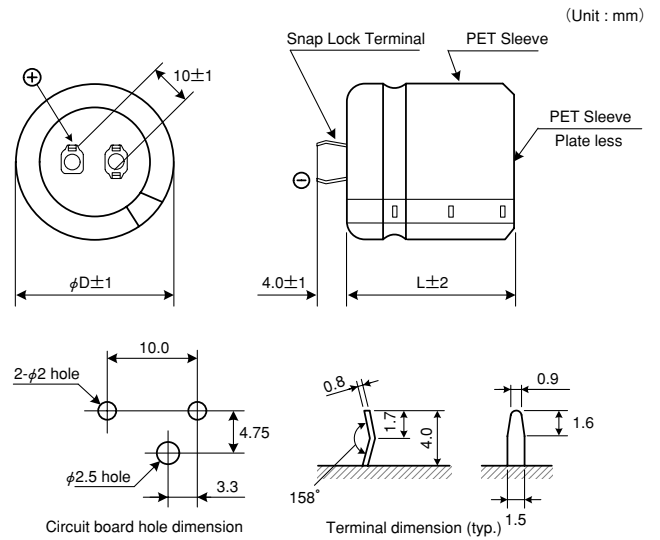
Case dia : $\phi 30 \sim \phi 40$



■ 3-claw short terminal

Terminal code : E

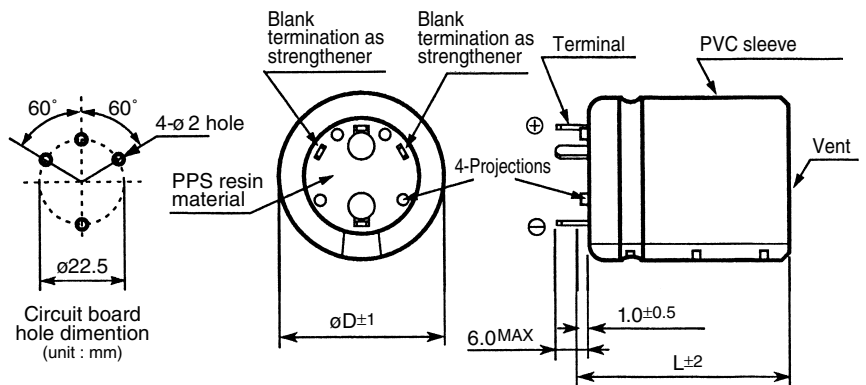
Case dia (D) : $\phi 22 \sim \phi 35$



■ 4-type terminal (PS2/US2 type)

Terminal code : S

Case dia : $\phi 41 \sim \phi 46$



■ T-type terminal (PS2/US2 type)

Terminal code : T

Case dia : $\phi 51$

